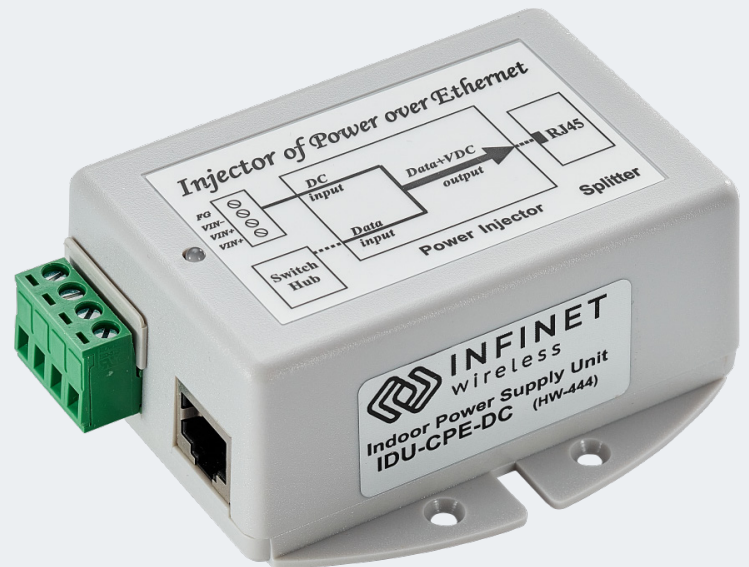



IDU-CPE-DC is an indoor DC/DC injector. It greatly reduces complexity of the deployment in the cases where DC source is available thus reducing both capital expenditures and total cost of ownership. It is designed for R5000-Smn and R5000-Lmn and has integrated lightning protection.


The source of DC power supply can be +48 V or even -48 V, hence installation of CPE units is possible where other DC or AC power sources are unavailable.



Key Features

 Compatible with R5000-Smn, R5000-Lmn

 Fast Ethernet pass-through

 Operating temperature range: from 0°C to +40°C

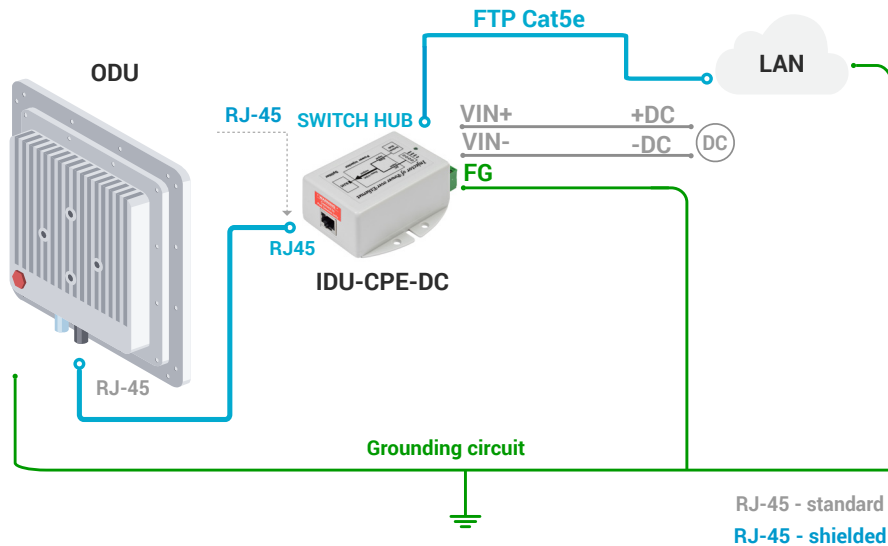
 DC power source

 Input voltage: $\pm 36 \dots 72$ V

 Output voltage: +48 V

 Consumption: 24 W

Recommended Installation Layout



Specification

Parameter	Description
Compatible models	R5000-Smn, R5000-Lmn
Input Voltage	$\pm 36 \dots 72 \text{ V}$
Output Voltage & Current	+48 V, 0.5 A
Consumption	24 W
Supported Ethernet Modes	10/100 Mbps
Connectors and Interfaces	<ul style="list-style-type: none"> • "Switch HUB" - Ethernet input (Data only) • "RJ45" - Ethernet output (Data+VDC), protected leg • "VIN+" - DC+ Input • "VIN -" - DC- Input • "FG" - ground clamp
Pin Assignment and Polarity	<ul style="list-style-type: none"> • "Switch HUB": 4, 5, 7, 8 - not connected • "RJ45": 4, 5 (+VDC) and 7, 8 (-VDC)
Lightning protection	<ul style="list-style-type: none"> • IEC61000-4-2 (ESD) $\pm 15\text{kV}$ (air), $\pm 8\text{kV}$ (contact) • IEC61000-4-4 (EFT) 40A (5/50ns) • IEC61000-4-5 (Lightning) 20A (8/20μs)
EMC	FCC Class B, EN55022 Class B, EN60945, EN50155
Safety	UL1950, CSA 22.2 & TUV EN60950
Size and Weight	85x57x36 mm, 0.15 kg
Operating temperature range	from 0°C to +40°C