

IDU-CPE-G(24W)



IDU-CPE-G(24W) is an indoor Gigabit PoE injector with built-in lightning protection compatible with Quanta 5, Quanta 6, Quanta 70, InfiLINK 2x2 LITE, InfiMAN 2x2 STE, InfiLINK Evolution, InfiMAN Evolution BS and STE, and AUX-ODU-SYNC outdoor units.


PoE injector supports 100-240 V input range from the AC mains.

IDU-CPE-G(24W) feeds 48 VDC power to the device by injecting it to the CAT5 Ethernet cable.

Built-in lightning protection protects units connected to IDU-CPE-G(24W)



Key Features

 Compatible with Quanta 5, Quanta 6, Quanta 70, InfiLINK 2x2 LITE, InfiMAN 2x2 STE, InfiLINK Evolution, InfiMAN Evolution BS and STE, AUX-ODU-SYNC

 Gigabit Ethernet pass-through

 Operating temperature range: from -10°C to +40°C

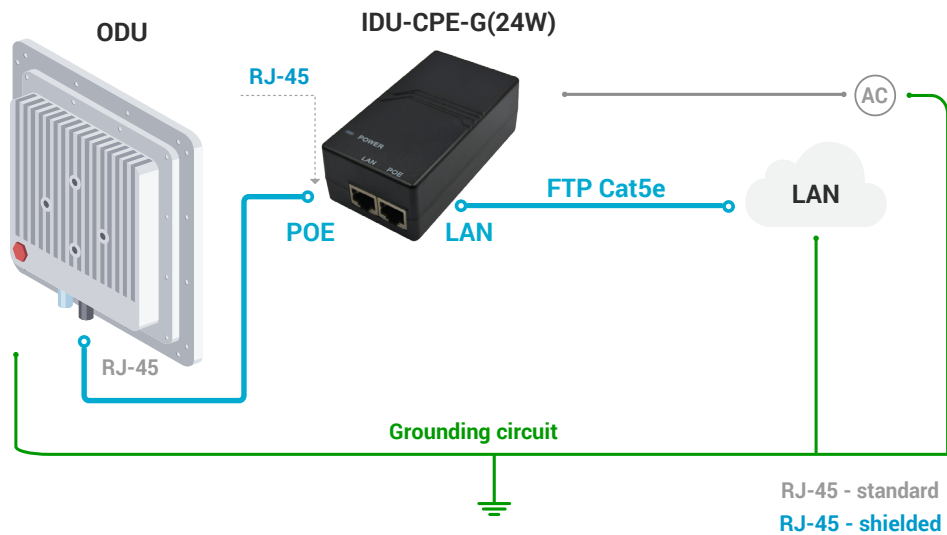
 AC power source

 Input voltage: 100 - 240 VAC

 Output voltage: 48 VDC

 Consumption: 28 W

Recommended Installation Layout



Specification

Parameter		Description							
Compatible models		<ul style="list-style-type: none"> Quanta 5, Quanta 6, Quanta 70, InfiLINK 2x2 LITE, InfiMAN 2x2 STE, InfiLINK Evolution, InfiMAN Evolution BS (except E5-BSQ) and STE, AUX-ODU-SYNC 							
Input Voltage & Current		100 - 240 V, 0.75 A							
Output Voltage & Current		48 VDC, 0.5 A							
Consumption		28 W							
Ethernet Modes		10/100/1000 Mbps (Gigabit Ethernet pass-through)							
Standards		<ul style="list-style-type: none"> IEEE 802.3 10Base-T IEEE 802.3U 100Base-TX IEEE 802.3ab 1000Base-T 							
Connectors and Interfaces		<ul style="list-style-type: none"> "LAN" - Ethernet input (Data only) "POE" - Ethernet output (Data+VDC), PASSIVE PoE "PWR" - AC Input 							
Pin Assignment and Polarity	LAN	1	2	3	4	5	6	7	8
		A+	A-	B+	C+	C-	B-	D+	D-
	POE	1	2	3	4	5	6	7	8
		A+	A-	B+	+VDC/C+	+VDC/C-	B-	-VDC/D+	-VDC/D-
Size and Weight		97x53.5x33.5 mm, 0.133 kg							
Operating temperature range		from -10°C to +40°C							