


# IDU-BS-G(60W)



**IDU-BS-G(60W)** is an indoor AC/DC PoE injector with built-in lightning protection compatible with all Infinet Wireless units. PoE injector is powered by an AC supply in the 100-240 V range. Built-in lightning protection protects units connected to IDU-BS-G(60W).



## Key Features

 Compatible with all Infinet Wireless units

 Gigabit Ethernet pass-through

 Operating temperature range: from -10°C to +40°C

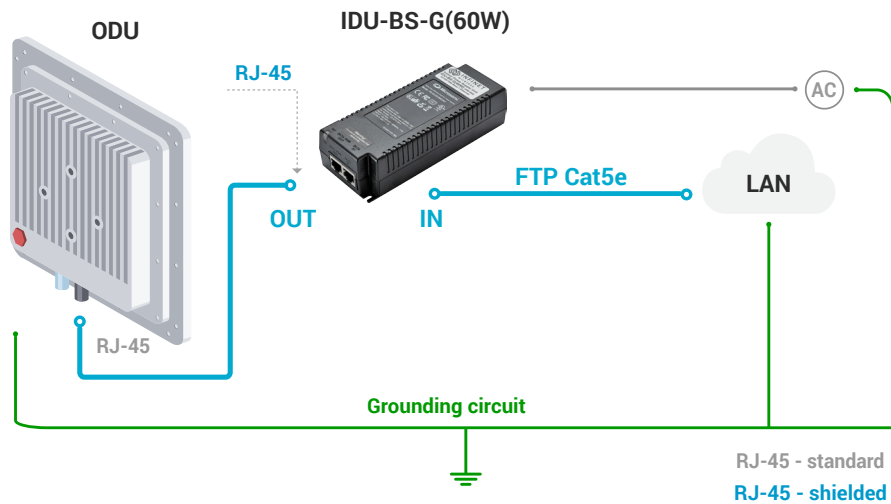
 AC power source

 Input voltage: 100 - 240 V

 Output voltage: +55 V

 Consumption: 60 W

## Recommended Installation Layout



## Specification

Parameter	Description
Compatible models	InfiLINK XG, InfiLINK XG 1000, InfiLINK 2x2, InfiMAN 2x2, Quanta 70, Quanta 5, Quanta 6, InfiLINK Evolution, InfiMAN Evolution
Input Voltage	100 - 240 V
Output Voltage & Current	+55 V, 1.5 A
Consumption	60 W
Supported Ethernet Modes	10/100/1000 Mbps (Gigabit Ethernet pass-through)
Connectors and Interfaces	<ul style="list-style-type: none"> <li>• "ETH IN" - Ethernet input (Data only)</li> <li>• "ETH OUT" - Ethernet output (Data+VDC), PASSIVE PoE</li> <li>• "PWR" - AC Input</li> </ul>
Pin Assignment and Polarity	<ul style="list-style-type: none"> <li>• Data Pairs 1/2 (-) and 3/6 (+)</li> <li>• Spare Pairs 7/8 (-) and 4/5 (+)</li> </ul>
EMC	<ul style="list-style-type: none"> <li>• FCC Part 15, Class B</li> <li>• EN 55022 Class B (Emissions)</li> <li>• EN 55024 (Immunity), VCCI</li> </ul>
Lightning Protection	<ul style="list-style-type: none"> <li>• IEC 61000-4-2 (ESD) 15kV (air), 8kV (contact)</li> <li>• IEC 61000-4-4 (EFT) 40A (tp = 5/50ns)</li> <li>• IEC 61000-4-5 (Lightning) L5, 95A (tp = 8/20us)</li> </ul>
Size and Weight	151x62x38 mm, 0.32 kg
Operating temperature range	from -10°C to +40°C